



32034 X

- Popular item
- SKF Explorer

Tapered roller bearings, single row

Bearing data

Tolerances,

Normal and CL7C, CLN, Normal and CL, deviating width

Bearing interfaces

[Seat tolerances for standard conditions,](#)

[Tolerances and resultant fit](#)

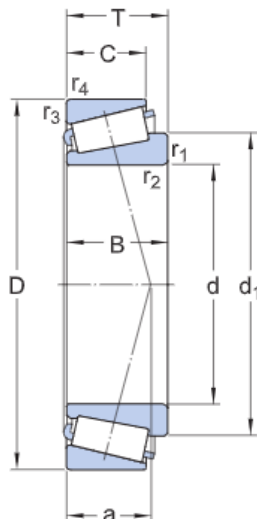
Technical specification

SKF performance class

SKF Explorer

Dimension series

4EC

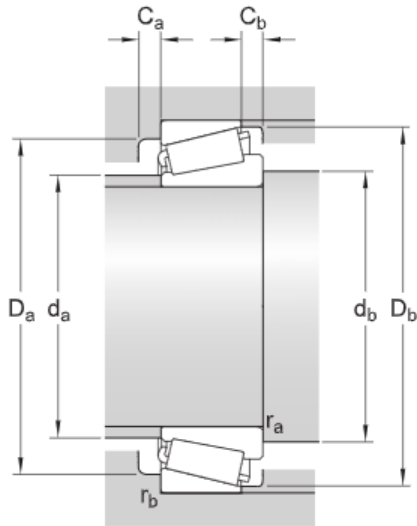


DIMENSIONS

d	170 mm	Bore diameter
D	260 mm	Outside diameter
T	57 mm	Total width
d_1	≈ 216 mm	Shoulder diameter of inner ring
B	57 mm	Width of inner ring
C	43 mm	Width of outer ring
$r_{1,2}$	min. 3 mm	Chamfer dimension of inner ring
$r_{3,4}$	min. 2.5 mm	Chamfer dimension of outer ring
a	55.656 mm	Distance side face to pressure point

ABUTMENT DIMENSIONS

d_a	max. 188 mm	Diameter of shaft abutment
d_t	min. 185 mm	Diameter of shaft abutment



D_{ζ} min. 230 mm	Diameter of housing abutment
D_{ζ} max. 247 mm	Diameter of housing abutment
D_t min. 249 mm	Diameter of housing abutment
C_e min. 10 mm	Minimum width of space required in housing on large side face
C_t min. 14 mm	Minimum width of space required in housing on small side face
r_a max. 3 mm	Radius of shaft fillet
r_b max. 2.5 mm	Radius of housing fillet

CALCULATION DATA

Basic dynamic load rating	C	625 kN
Basic static load rating	C_0	915 kN
Fatigue load limit	P_u	88 kN
Reference speed		1 900 r/min
Limiting speed		2 200 r/min
Limiting value	e	0.44
Calculation factor	Y	1.35
Calculation factor	Y_0	0.8

MASS

Mass	10.6 kg
------	---------

More information

Product details	Engineering information	Tools
Designs and variants	Principles of rolling bearing selection	SimPro Quick
Bearing data	General bearing knowledge	Bearing Select
Loads	Bearing selection process	Engineering Calculator
Temperature limits	Bearing failure and how to prevent it	LubeSelect for SKF greases
Permissible speed		Heater Selection Tool
Design considerations		Oil Injection Method Program
Bearing designations		skf.com/mount
Designation system		

Terms and conditions

By accessing and using this website / app owned and published by AB SKF (publ.) (556007-3495 · Gothenburg) ("SKF"), you agree to the following terms and conditions:

Warranty Disclaimer and Limitation of Liability

Although every care has been taken to assure the accuracy of the information on this website / app, SKF provides this information "AS IS" and DISCLAIMS ALL WARRANTIES, EXPRESS OR IMPLIED, INCLUDING, BUT NOT LIMITED TO, IMPLIED WARRANTIES OF MERCHANTABILITY AND FITNESS FOR A PARTICULAR PURPOSE. You acknowledge that your use of this website / app is at your sole risk, that you assume full responsibility for all costs associated with use of this website / app, and that SKF shall not be liable for any direct, incidental, consequential, or indirect damages of any kind arising out of your access to, or use of the information or software made available on this website / app. Any warranties and representations in this website / app for SKF products or services that you purchase or use will be subject to the agreed upon terms and conditions in the contract for such product or service. Further, for non-SKF websites / apps that are referenced in our website / app or where a hyperlink appears, SKF makes no warranties concerning the accuracy or reliability of the information in these websites / apps and assumes no responsibility for material created or published by third parties contained therein. In addition, SKF does not warrant that this website / app or these other linked websites / apps are free from viruses or other harmful elements.

Copyright

Copyright in this website / app copyright of the information and software made available on this website / app rest with SKF or its licensors. All rights are reserved. All licensed material will reference the licensor that has granted SKF the right to use the material. The information and software made available on this website / app may not be reproduced, duplicated, copied, transferred, distributed, stored, modified, downloaded or otherwise exploited for any commercial use without the prior written approval of SKF. However, it may be reproduced, stored and downloaded for use by individuals without prior written approval of SKF. Under no circumstances may this information or software be supplied to third parties.

This website /app includes certain images used under license from Shutterstock, Inc.

Trademarks and Patents

All trademarks, brand names, and corporate logos displayed on the website / app are the property of SKF or its licensors, and may not be used in any way without prior written approval by SKF. All licensed trademarks published on this website / app reference the licensor that has granted SKF the right to use the trademark. Access to this website / app does not grant to the user any license under any patents owned by or licensed to SKF.

Changes

SKF reserves the right to make changes or additions to this website / app at any time.